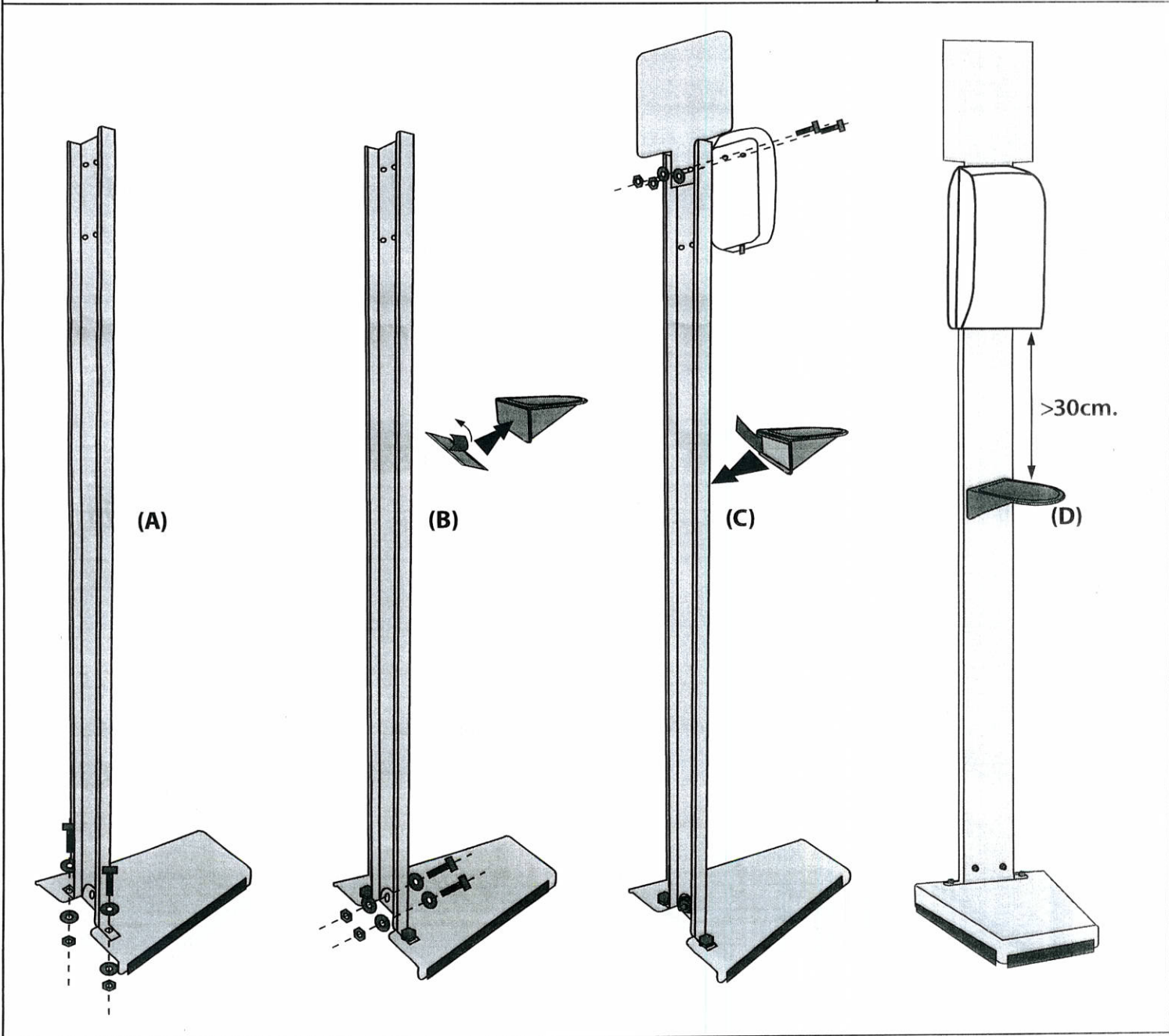
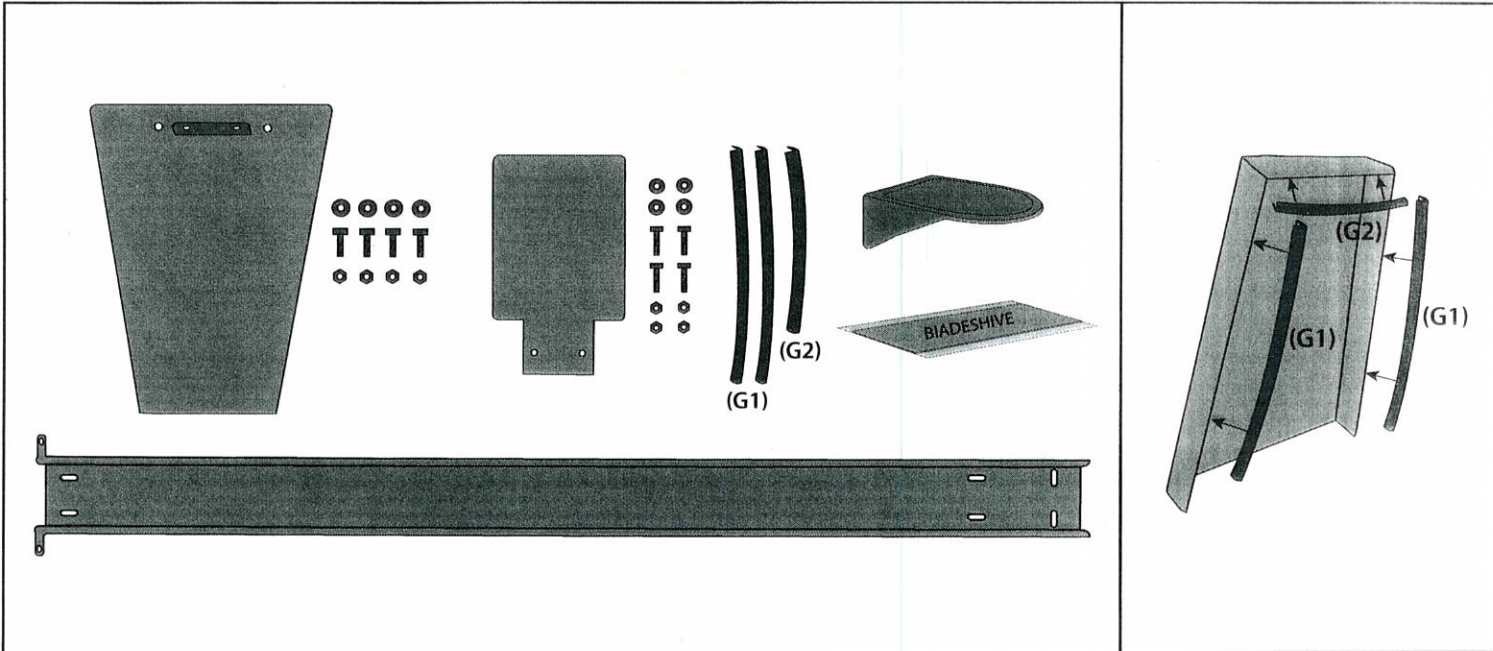


# INSTRUCTION ART. 612 + 770/924



# INSTRUCTION ART. 612 + 855

